

# C

## B900 SERIES

torque control  
variable speed  
drive

PAGE  
12-13

质量造就市场  
QUALITY MAKE MARKET

服务产生价值  
SERVICE CREATE VALUE



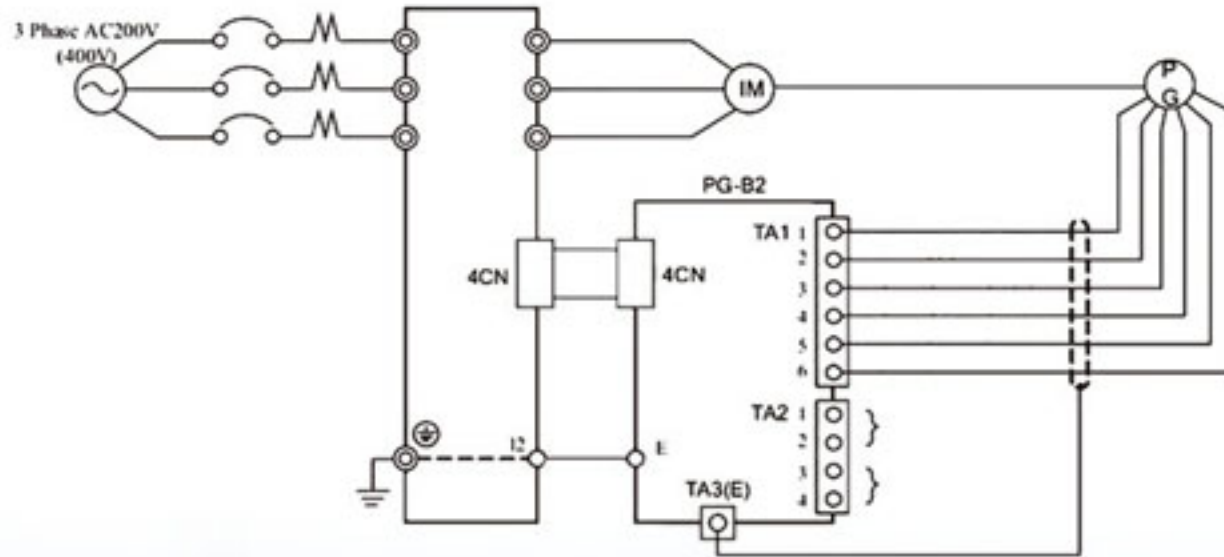
## B900 SERIES CURRENT VECTOR FREQUENCY INVERTER

3phase 220-240V	2HP-250HP (1.5kW-185kW)
3phase 380-440V	2HP-1200HP (1.5kW-1000kW)
Medium voltage 690V/1140V	25HP-1200HP(18.5kW-1000kW)

### Our B900 series main features as below:

- [ 32bit DSP microprocessor configuration
- [ Magnetic field oriented flux vector control
- [ Auto-tune ability
- [ Available for speed-type servo controller while PG feedback added
- [ RS-232/RS-485 serial communication port
- [ Capacities from 1HP - 1200HP
- [ Optional DC reactor available  
(for reducing harmonic interference from the power supply)
- [ Multi-language large screen LCD displays the drive status in six languages and a parameter copy mode function. English, Chinese, Russian, German, French, Spanish
- [ Four control methods are included:
  - Standard V/F control
  - V/F control with PG feedback
  - Sensorless flux vector control
  - Flux vector current control with PG feedback
- [ Accel./Decel. pause (Dwell) and droop control functions
- [ Motor parameter auto-tuning
- [ Starting torque: 150% rated torque at 0HZ
- [ Speed control precision  $\pm 0.02\%$  with PG, and  $\pm 0.2\%$  without PG  
Frequency control precision  $\pm 0.01\%$
- [ Simple AC servo functions

## ▶▶ PG Speed Control Card



PG-B2 (For Vector Control with PG mode only)

- ☑ Shielded twisted-pair wires must be used for signal lines
- ☑ Do not use the pulse generator's power supply for anything other than the pulse generator(encoder). Using it for another purpose can cause malfunctions due to noise!
- ☑ The length of the pulse generator's wiring must not be more than 100 meters.
- ☑ The direction of the rotation of the PG can be set in user constant F1-05.The factory present if for forward rotation, A-phase advancement.

### 适用行业 Applications:

Paper process, Rolling machine, lift equipment ,scrolling equipment,elevator, Crane and convey machine, Metal machine tools, food process, big inertia loading machine and other applications. It's available for all kind of machines.

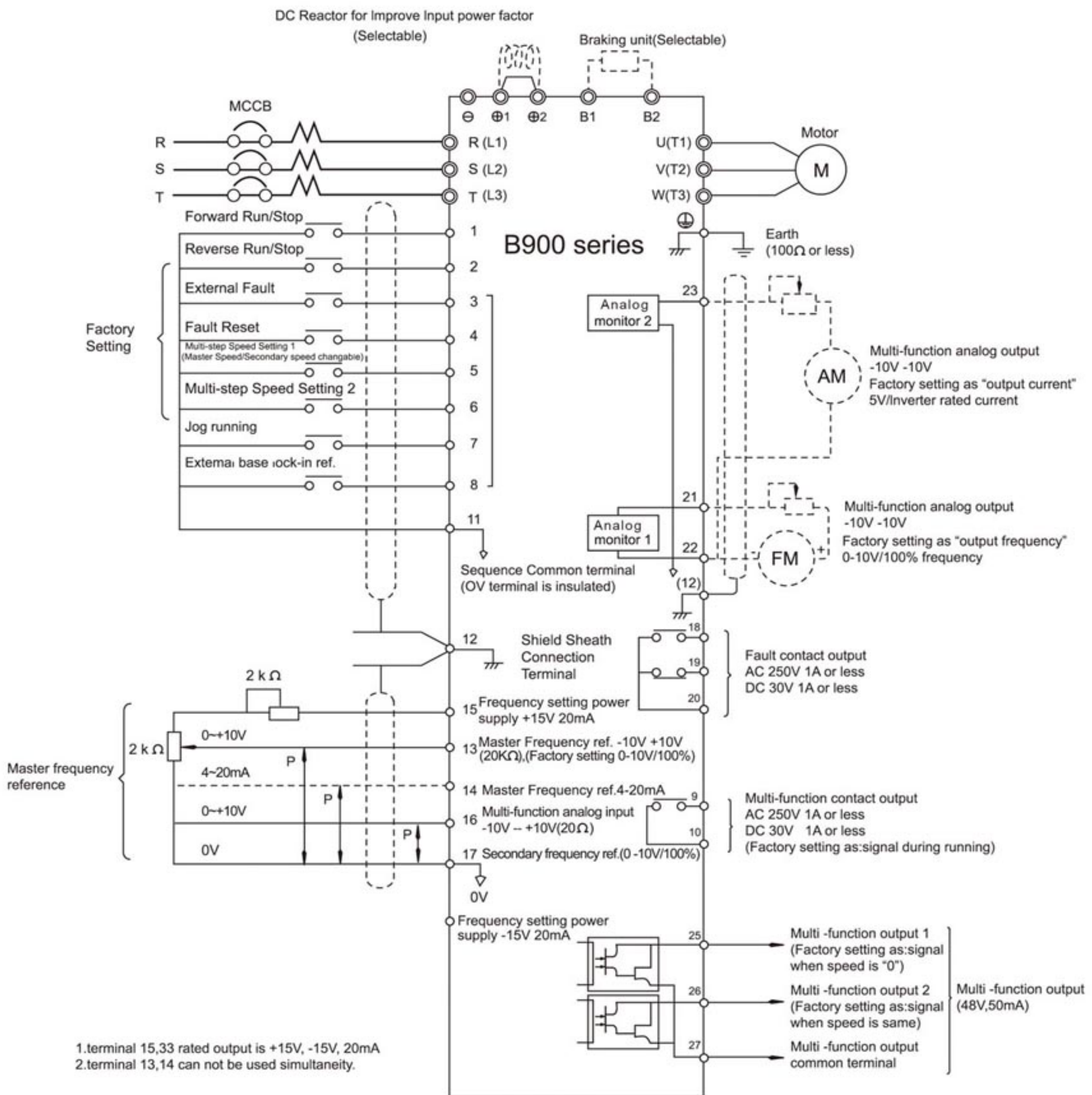
### 功率范围 Power Range:

3phase 220-240V	2HP-250HP (1.5kW-185kW)
3phase 380-440V	2HP-1200HP (1.5kW-1000kW)
Medium voltage 690V/1140V	25HP-1200HP(18.5kW-1000kW)

## 技术规范Specification:

B900 Series Max. Applicable motor output (kw)		1.5	3.7	7.5	15	22	37	55	93	132	185	220	280	355
		2.2	5.5	11	18.5	30	45	75	110	160	200	245	315	400
Output Characteristics	Rated output current (A)	4.0	9.6	17	32	45	75	110	180	260	350	420	530	660
		6.0	13	25	38	60	90	150	215	310	380	470	600	750
	Max. output voltage (V)	3phase 380V/400V/415V/440V/480V (Proportional to input voltage)												
	Max. output Frequency (HZ)	upto 400HZ available by programing												
Power Supply	Rated Input Votage and fre.	3-Phase,380V/400V/440V/480V 50/60Hz												
	Allowable voltage flu.	+10%,-15%												
	Allowable frequency flu.	±5%												
Control characteristics	control method	Sine wave PWM												
	Starting Torque	150%/1Hz(150%/or/min with PG)												
	Speed Control Range	1:100(1:1000 wirh PG)												
	Speed control Accuracy	±0.2%(0.02% with PG)												
	Speed Response	5Hz(30Hz with PG)												
	Torque Limit	Available(Parameter setting,4steps can be changed)												
	Torque Accuracy	±5%												
	Torque Response	20Hz(40Hz with PG)												
	Frequency Control Range	0.1 to 400Hz												
	Frequency Accuracy	Digital command;0.01%(-10℃ to +40℃) Analog command: 0.1%(25℃ ± 10℃)												
	Frequency Resolution	Digital operator reference: ±0.01Hz Analog reference:0.03Hz/60Hz (11 bit +code)												
	Output Frequency Res.	0.01Hz												
	Overload Capacity	150% of rated output current for minute ,180% of rated output current for 2 secends, 200% of rated output current for 0.5 secend												
	Fre.Setting Signal	-10V to 10V,0 to10V,4 to 20 mA												
	Accel/Dece Time	0.01 to 6000.0 sec(Accel/dec time setting independently,4 steps available)												
Braking Torque	Approx.20%													
Protection Functions	Motor Overload Protection	Protected by electronic thermal overload relay												
	Instantaneous Overcurrent	Motor coasts to a stop at stop at approx.200% of inverter rated current.												
	Blown Fuse Protection	Motor coasts to a stop at stop by blown-fuse.												
	Overload	Motor coasts to a stop after 1 minute at150 of rated output current.(2minutes at 150% is customized)												
	Overvoltage	Motor coasts to a stop if coverter output voltage exceeds 820V												
	Undervoltage	Motor coasts to a stop if coverter output voltage drops to 380V or below.												
	Momentary Power Loss	Immediately stop by 15 ms and above momentary power loss.(Fractory setting) Continuous operation during power loss less than 2sec is equipped as standard.												
	Heatsink Overheat	Protected by thermistor												
	Stall Prevention	Stall prevention during accel/dec and constant speed operation												
	Ground Fault	Protected by electronic circuit(Overcurrent level)												
	Power Charge Indication	Charge LED stays ON until busvoltage drops below 50V												
Environment	Ambient Temperature	-10℃ to 40℃ (Enclosed wall-mounted type); -10℃ to 45℃ (Open chassis type)												
	Humidity	90%RH or less												
	Storage Temperature	-20℃ to +60℃												
	Location	Indoor (Protected from corrosive gases and dust)												
	Elevation	1000m or less												
	Vibration	9.81m/s <sup>2</sup> (1G)less than 20Hz ,up to 1.96m/s <sup>2</sup> (0.2G) at 20 to 5 Hz												

**接线图 standard connection diagram:**



## 产品尺寸 Dimension (mm):

Model	W	W1	H	H1	D	D1	d
2HP-7HP	139	114	278	262	181	191	6
10HP-15HP	229	204	298	284	227	237	6
20HP-40HP	297	270	450	432	253	263	6
50HP-60HP	348	240	700	680	335	345	10
75HP-100HP	375	300	785	680	345	355	11
125HP-175HP	465	300	878	850	375	385	11
215HP-325HP	Cabinet (1016 * 465 * 375)						
375HP-475HP	Cabinet (1800 * 820 * 460)						

## B900 series exterior dimension:

